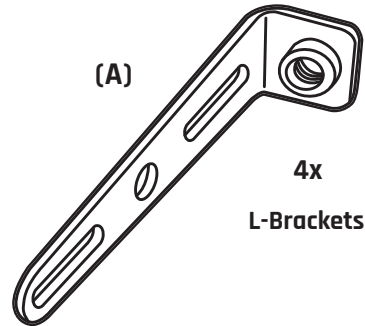
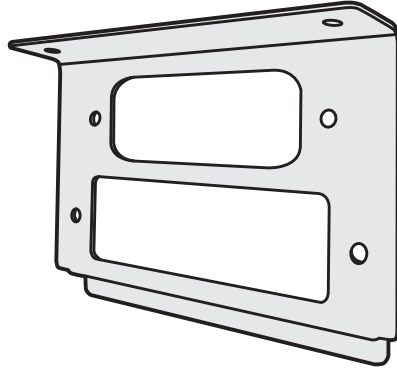


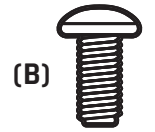
What's included?

For RZR XP1, XP4, 900S, Turbo S, Velocity

Rugged Radio
& Intercom Mount
(Appearance May
Vary)



4x
L-Brackets

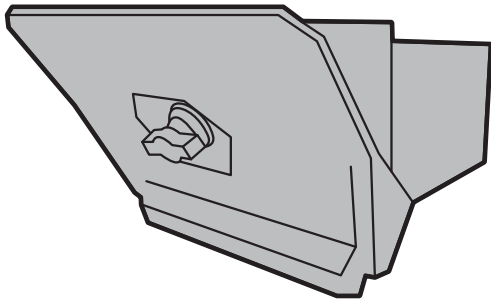


6x
Mounting
Bolts



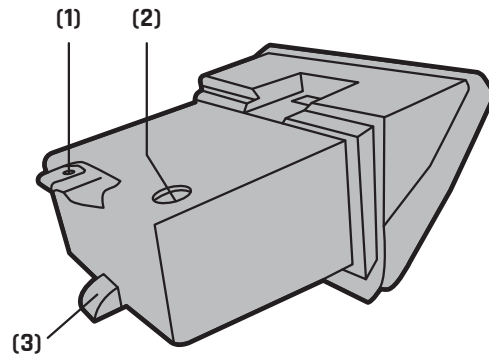
IMPORTANT

In order to install your mount, you must first remove the glove box from your RZR



GLOVE BOX

To remove the glove box, you must either detach it from behind, or lift your hood to access the rear connection.



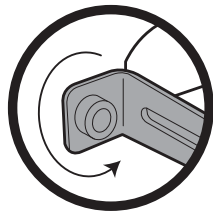
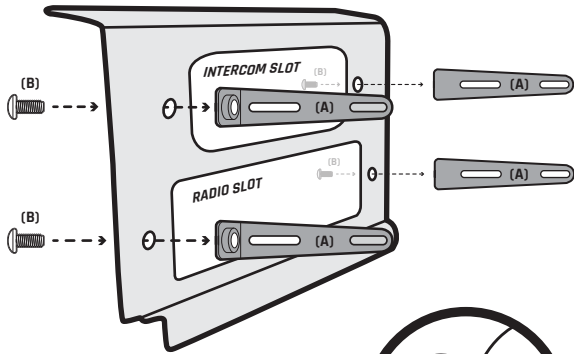
DETACHING GLOVE BOX

The style of glove box may vary depending on the year and model of your RZR.

- (1) Remove bolt.
- (2) Remove USB cable.
- (3) Remove LED light.

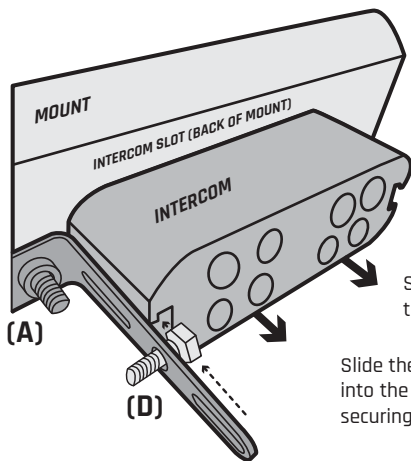
Installation

Install L-Brackets using included mounting bolts
(Reference parts on Page 1)



When installing, rotate L-Brackets so that the arm is facing inwards, towards the intercom/radio slots

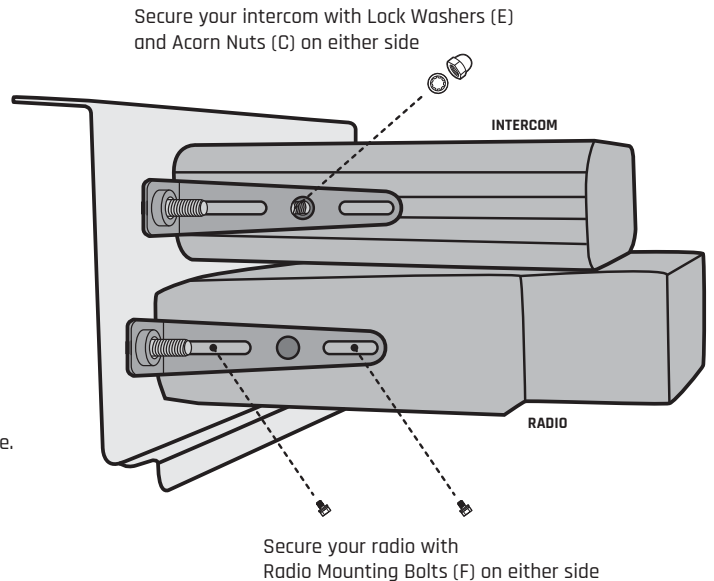
<p>REQUIRED INSTALL HARDWARE</p>	<p>(C) </p> <p>2x M6 1.0 Acorn Nut</p>	<p>(D) </p> <p>2x M6 1.0 Hex Bolt (12mm)</p>	<p>(E) </p> <p>2x Lock Washer</p>	<p>(F) </p> <p>4x M4 0.7 Radio Mounting Bolt</p>
	<p>PACKAGED WITH RUGGED INTERCOM</p>			
<p>PACKAGED WITH MOBILE RADIO</p>				



Slide your intercom through the front of the intercom mount.

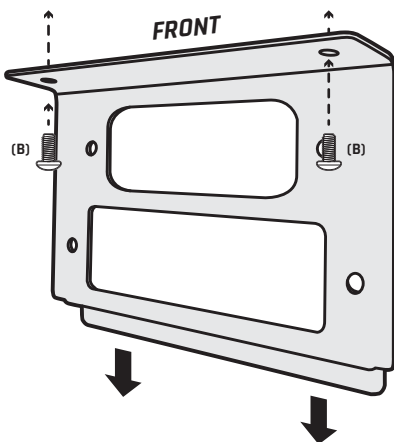
Slide hex bolts (D), facing inward, into the holes in the L-Brackets (A) on either side.

Slide the heads of the hex bolts (D) flush into the slots in either side of the intercom, securing the intercom in place.



Secure your intercom with Lock Washers (E) and Acorn Nuts (C) on either side

Secure your radio with Radio Mounting Bolts (F) on either side



! The Radio and Intercom should be installed into your mount before securing your mount in your RZR.
A 5/16" drill bit is required to install Mounting Bolts (B).

The mount will be installed in your RZR where your glove box was previously installed. Slide the bottom tab of the mount to the glove box slot of your RZR, then use the remaining 2 Mounting Bolts (B) to secure the mount in your vehicle.