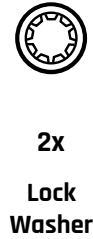
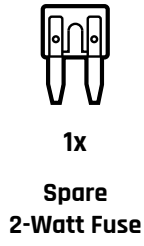
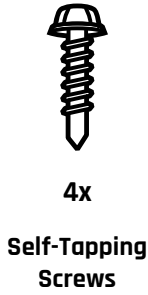
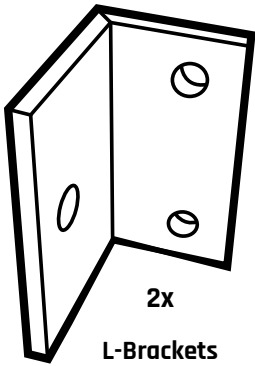
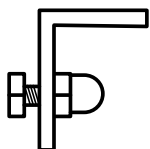
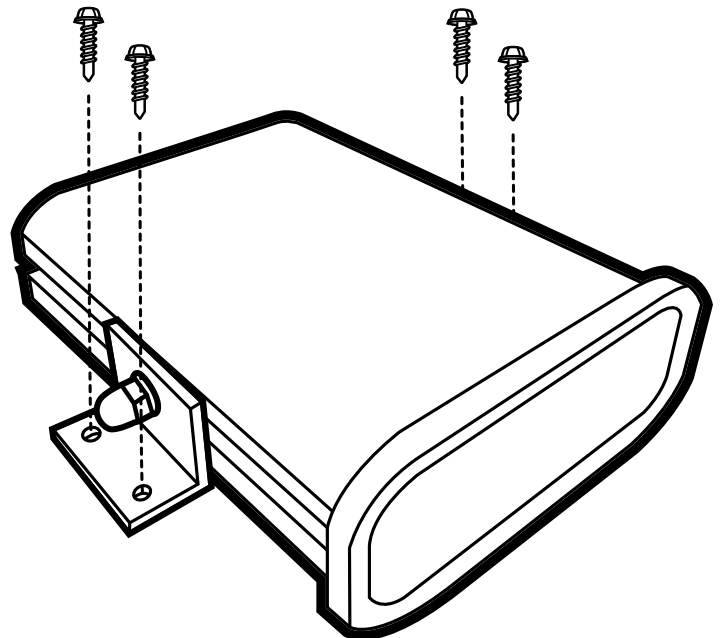
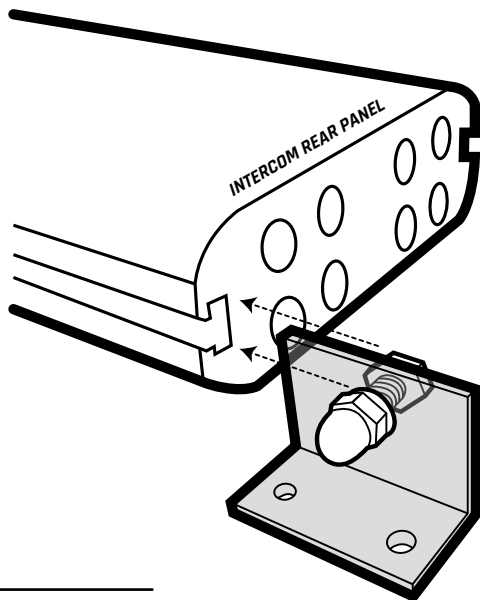
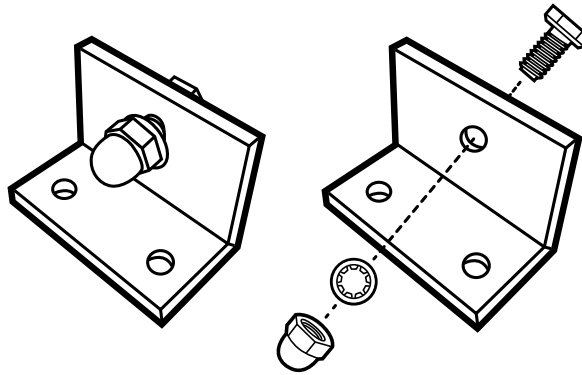


What's included?



!
IMPORTANT: Acorn Nuts, Hex Bolts & Lock Washers are required when installing Rugged Intercoms in Rugged Vehicle Mounts. Please save these items if you are planning to install your intercom in a mount.

Acorn Nut, Hex Bolt, & Lock Washer come pre-affixed to L-Brackets



NOTE: L-Brackets can be rotated to an upside-down position for mounting to ceilings or underneath surfaces

With L-Brackets attached to Intercom, use Self-Tapping screws to attach L-Brackets to desired surface.