



RH5R-V2 USER GUIDE

RH5R-V2 Dual Band Handheld Radio

Changing Channels

Use [▲/▼] to scroll through the channels until you have reached your desired channel.

PLEASE NOTE: Channels 16-22 are LISTEN ONLY

Dual Display

The RH5R normally displays a single channel, but it has the capability to display two channels. This is useful if you continuously switch between channels, or need to monitor 2 channels at once.

- To turn on the second channel display press [F], [6], [F]. Then press [▼] to turn on. Press [F] to save and [EXIT] twice to leave the menu.
- To alternate between the top and bottom channels, press [A/B].

Keypad Lock/Unlock

- To manually lock the keypad, press and hold [LOCK] on the bottom left of the face of the radio until the “Lock” symbol appears. To unlock, press and hold [LOCK] until the “Lock” symbol disappears.
- To turn on Auto Lock press [F], [1], [4], [F] followed by either [▲/▼] and [EXIT] to leave the menu. This feature locks the radio keypad if there is no key operation for 5 seconds.

FM Radio

- To activate FM Radio listening, press [FM RADIO]
- Use [▲/▼] or keypad to tune the desired frequency.

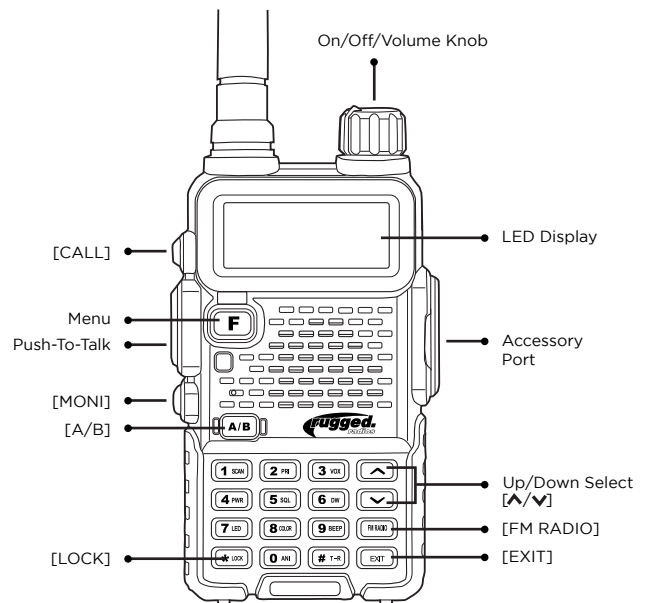
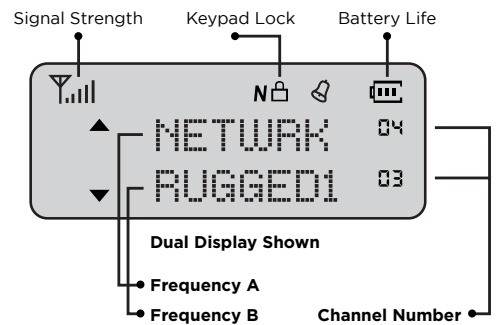
Monitor a Channel

Hold [MONI] to temporarily change the squelch to zero allowing you to hear very weak signals.

Programming

For custom programming software, please contact:

RT Systems
800.921.4834
rtsystemsinc.com



Listen-Only Channels

Rugged Radios has licensed a variety of frequencies for our customers. VHF channels 16-22, however, have been previously licensed by other businesses, organizations, or government entities. Rugged Radios provides these as Listen-Only channels for recreational use. This eliminates the possibility of our customers transmitting on those frequencies and causing radio traffic problems for those entities when they need communication the most.

Licensing

This two-way radio operates on radio frequencies that are regulated by the Federal Communications Commission (FCC). A license is required to transmit on these frequencies. For this reason, Rugged Radios has licensed a variety of frequencies/channels on which its customers can transmit for business, recreational or race use. Rugged Radios customers are authorized to transmit on Rugged Radios mobile and handheld radios only, on the pre-programmed channels, in the various locations designated by its license. Operation that is not consistent with the FCC rules and regulations is not authorized by Rugged Radios. For the latest information regarding the Rugged Radios license, please visit ruggedradios.com/licensing

To license your own channels/frequencies, we recommend you contact Forest Industries Telecommunications (FIT) at 888-583-2929 or visit their website at: fcclicense.org/fit